



Retractable Banner

This is an easy to set up banner solution, which is perfect wherever a quick fix assembly is needed. It proves to be especially convenient when a quick message change is needed as it doesn't require any additional tools to attach the cassette or change the banner.

The banners are made of mesh (unique to this product) or block-out vinyl material with an option of single or double-sided full color printing. The versatility of the system allows it to be set up as a combination of webbing and banners.

The retractable banner solution is perfect for use in a variety of settings, including **power plants**, airports, restaurants, cinemas, museums, trade fairs and any kind of event.



***** Stanchions Sold Separately *****

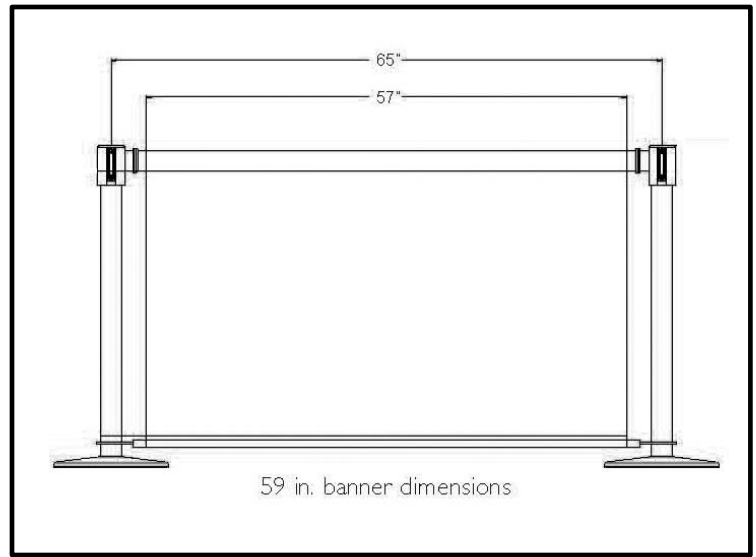
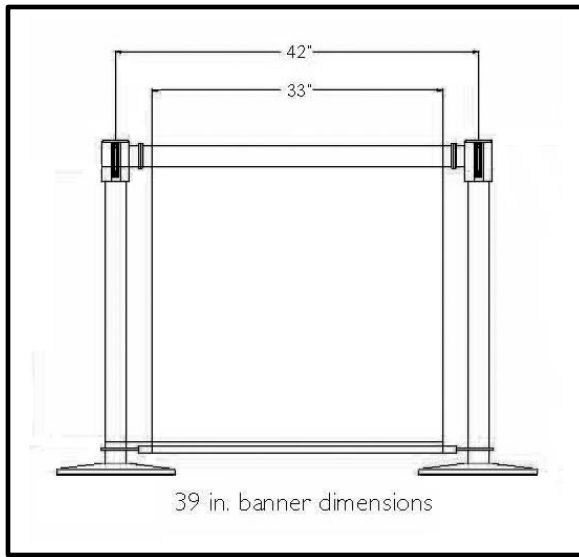
Features:

- Two standard sizes: 59 in. or 39 in. long banner (please refer to the technical drawing)
- Retractable banner
- Mesh or block-out vinyl banner options available
- Perfect for indoor use
- Single or double-sided printing
- Certified with DIN 4102-B1 flame retardant (mesh and block-out vinyl) and with M2 (block-out vinyl banner)





Retractable Banner



Benefits:

- The versatility of the system allows it to be set up as a combination of webbing and banners
- Ribbon and banners can be used at the same time
- Cost effective advertising opportunity
- Banners can be easily replaced without a need for additional tools
- Promotes the business by refreshing the message for on-going promotions
- Quick and simple assembly
- Easy storage system saving storage space

Applications:

- Expo/Venues
- Airports
- Hospitality
- Leisure
- Public
- Retail
- Sport
- Travel

